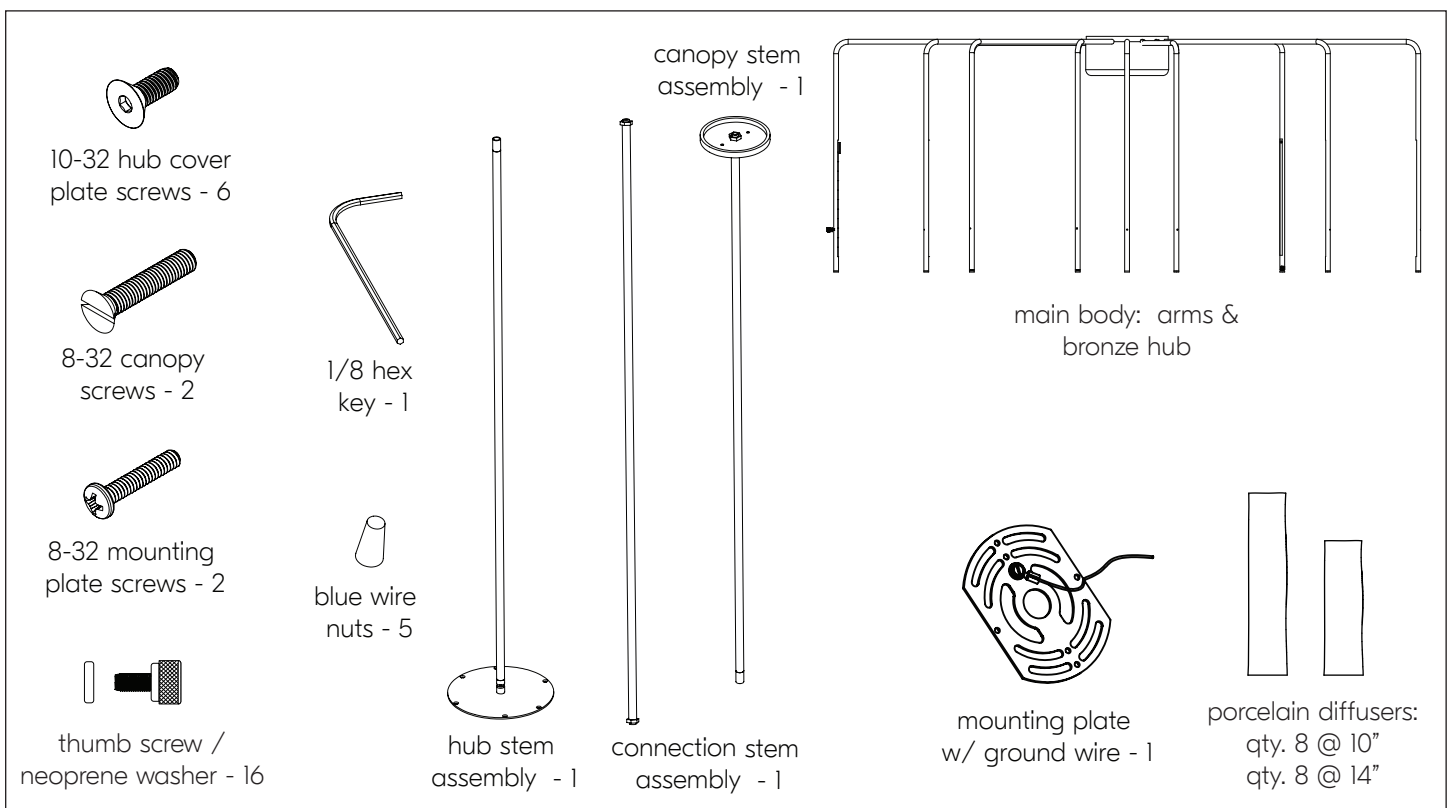


Technical Information:

Input	120-277 VAC
UL Approved	Yes
Driver Volts	14-24 Vdc
Fixture Wattage	33.6 watts
Dimming	LUTRON DVWCL-153PH or equivalent

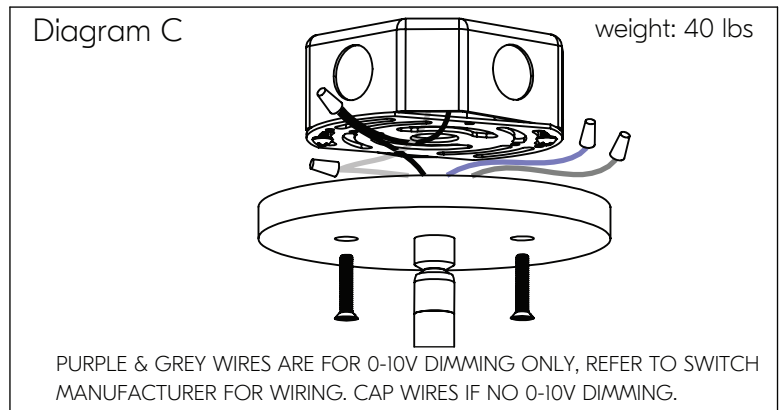
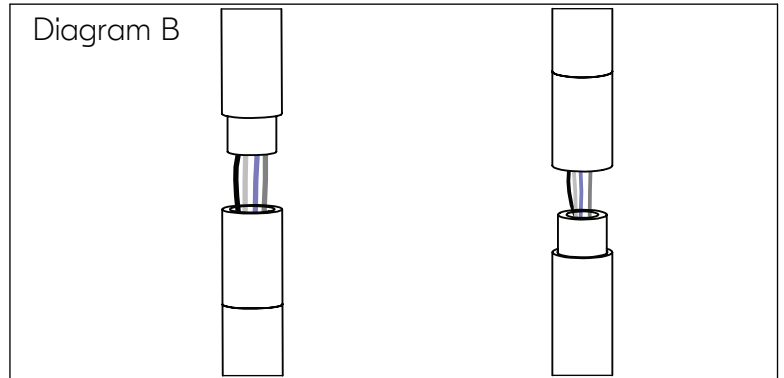
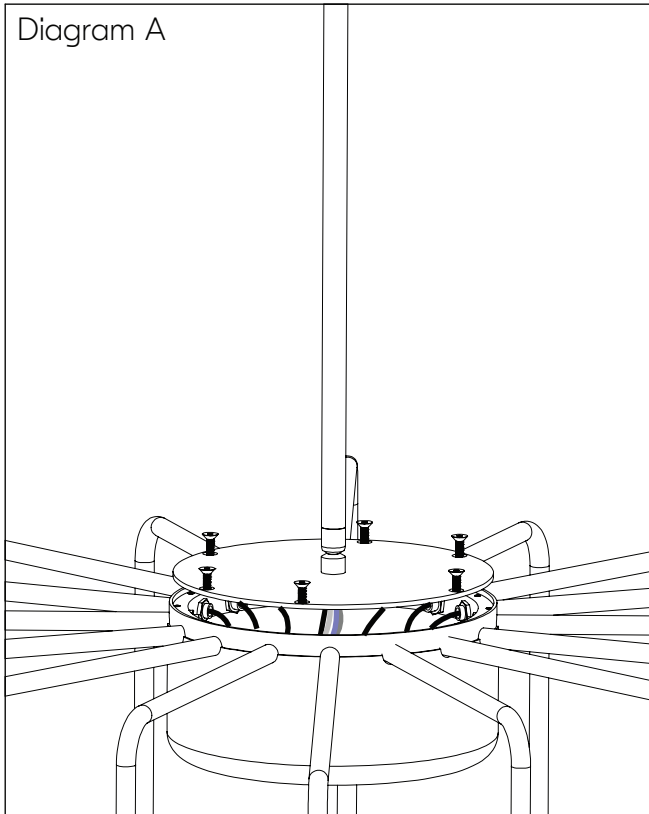
Driver Amperage	700mA per driver
Lumens	1800 lumens (2 drivers)
Color Temp.	2700K
CRI	90

Parts:



Notes & Safety Information:

- Do not remove chandelier from crate until the installation has proceeded to the step indicated in **red** on page two of this document.
- Carefully follow all set-up instructions to avoid damage and ensure proper assembly.
- To be installed by licensed electrician.
- Do not over tighten screws.
- Wear provided gloves during entire installation process. Do not touch the LED boards/emitters or bronze hub with bare hands.
- Only suitable for direct mounting on non-combustible surfaces.
- Under no circumstances can Arak Chandeliers be mounted on normally flammable surfaces. Suitable for dry, indoor use only.
- Maximum ambient temperature: 25 deg. C
- Further information regarding the care and use of the materials, components, and finishes may be found by referring to the enclosed 'care and use instructions'.
- Please direct questions regarding use or installation to Skram.



Installation of Arak Chandelier:

- Make sure power is shut off to the Junction Box where the fixture will be installed.
- Run wires from the Hub up through the Hub Stem Assembly.
- Secure the Hub Stem Assembly to the Hub with (6) 10-32 Hub Cover Plate Screws using provided 1/8 Hex Key.
- Remove Nuts from Connection Stem Assembly.
- Run wires through the Connection Stem Assembly then thread the Connection Stem Assembly into the Hub Stem Assembly
- Secure the Mounting Plate to the Junction Box with (2) 8-32 Mounting Plate Screws.
- **Raise the Fixture up to the Junction Box, make electrical connections with wire nuts and tape, feed excess wire into Junction Box.**
- Raise the Canopy up to the Mounting Plate and secure with (2) 8-32 Canopy Screws.

- Instructions Continue On Next Page -

Diagram D

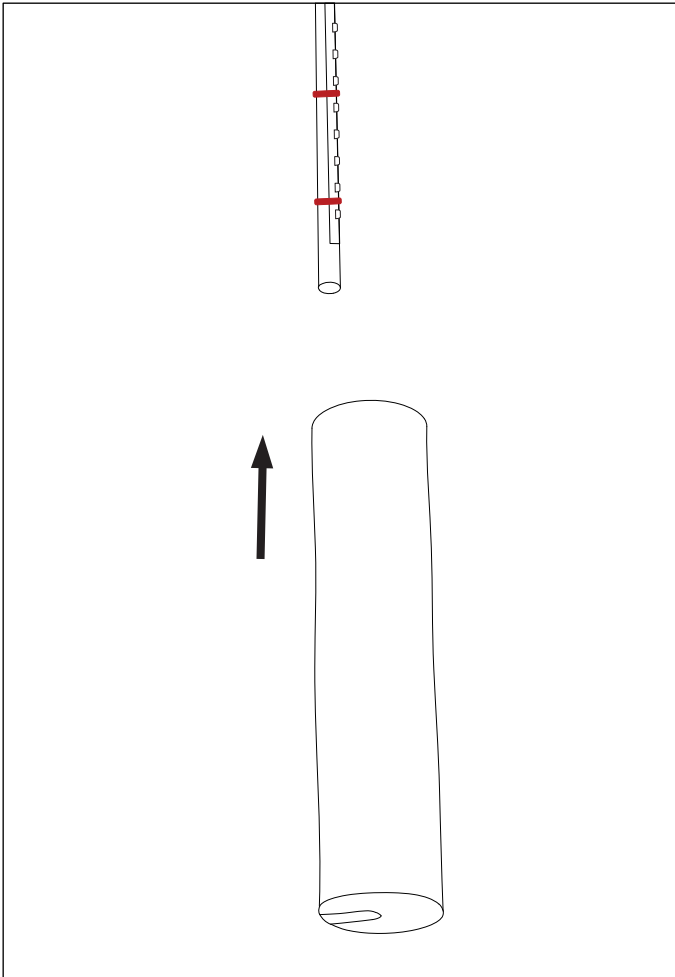
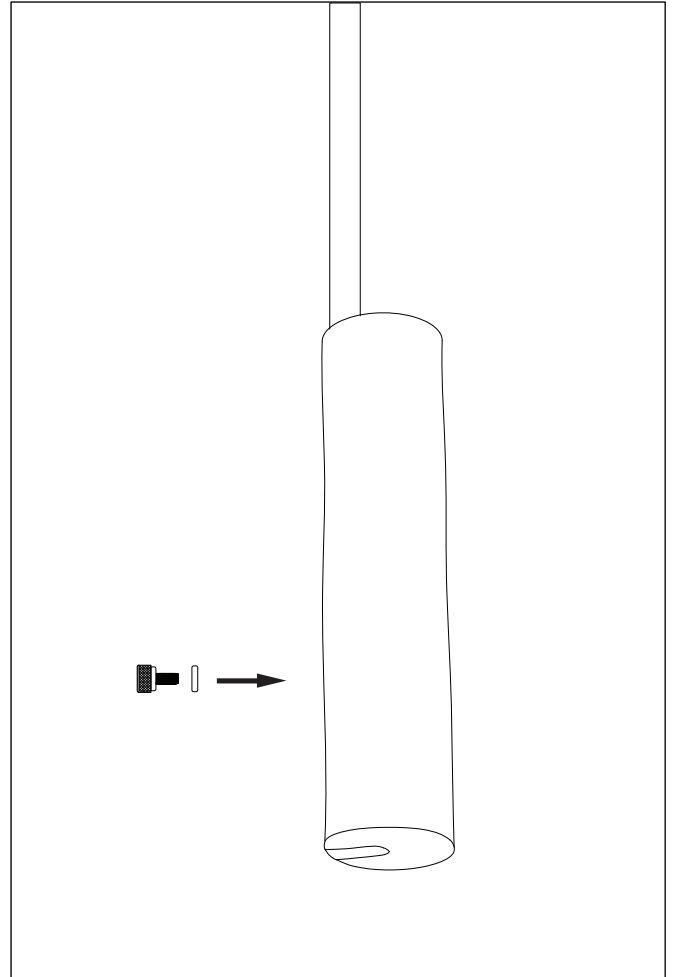


Diagram E



Installation of Arak Porcelain Diffusers:

- Install qty. 32 red high-temperature silicone o-rings per diagram D. Ensure that o-rings are located in between, not atop, emitters.
- Install qty. 16 black neoprene washers on qty. 16 thumb screws.
- Power-up chandelier. This makes it easier to locate and engage tapped hole for thumb screw.
- Per diagram E, working first with inner arms, hold porcelain diffuser with partial enclosure side down, and carefully slide up over bottom end of chandelier arm.
- Align hole on diffuser with tapped hole on chandelier arm. Carefully engage threads of thumb screw/washer.
- Tighten thumb screw until neoprene washer exhibits compression and porcelain is secure. **DO NOT OVERTIGHTEN.** Overtightening will result in damage and may fracture porcelain diffuser.